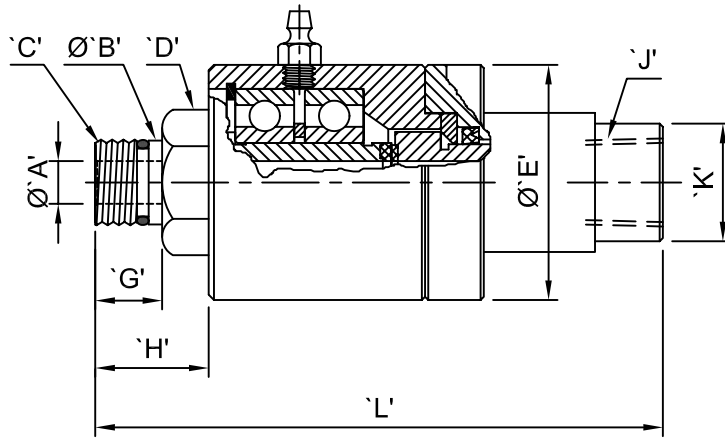


R - 600 90° ROTARY UNION



R - 600 STRAIGHT THROUGH ROTARY UNION

R - 600 90° & STRAIGHT THROUGH ROTARY UNION

Housing with Straight Through or 90° entry for high pressure , high speed service Sealing faces Available with Tungsten Carbide and Ceramic .

OPERATING DATA :-

Max. Speed - 10,000 RPM.
 Max. Temperature - 120° C
 Max. Pressure - 68 Kg./ Cm.²
 Media - Coolant Fluid