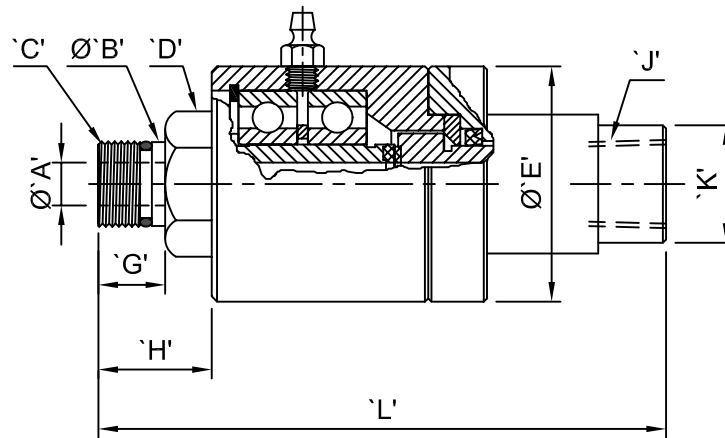


R - 800 90° ROTARY UNION



R - 800 STRAIGHT THROUGH ROTARY UNION

## R - 800 90° & STRAIGHT THROUGH ROTARY UNION

Housing with Straight Through or 90° entry , Single passage turbulence free flow at high speed , and high pressure bearing are precision mounted to prevent from getting excessively heated .

### OPERATING DATA :-

Max. Speed - 15,000 RPM.

Max. Temperature - 90° C

Max. Pressure - 105 Kg./ Cm.<sup>2</sup>

Media - Coolant Service