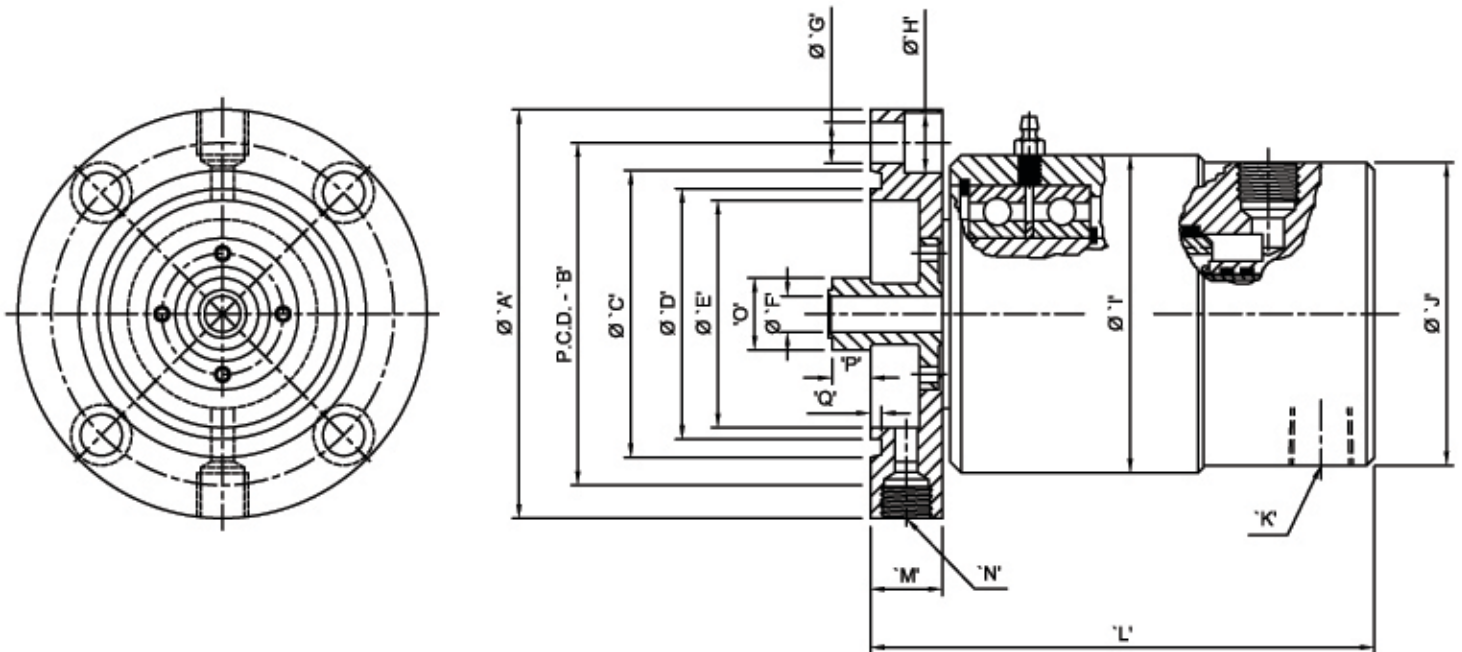




R - 900 ROTARY UNION



* 'O' RING ON 18 92 (9.25 X 1.78) - 1 NO.

R - 900 ROTARY UNION

Double passage pneumatic service union. Flange mounting , carbon graphite versus , tool steel sealing faces optically flat and balanced for minimum torque .

OPERATING DATA :-
 Max. Speed - 1500 RPM.
 Max. Temperature - 120° C
 Max. Pressure - 10 Kg. / Cm.²
 Media - Pneumatic Service

MODEL	\emptyset 'A'	'B' P.C.D.	\emptyset 'C'	\emptyset 'D'	\emptyset 'E'	\emptyset 'F'	\emptyset 'G'	\emptyset 'H'	\emptyset 'I'	\emptyset 'J'	'K' BSPT	'L'	'M'	'N' BSPT	'O'	'P'	'Q'
R 0900-003-000	107.92	90.5	74.27	66.27	60	9.5	11	16	84	80	3/8"	132	19	1/4"	19.05	10.1	3